

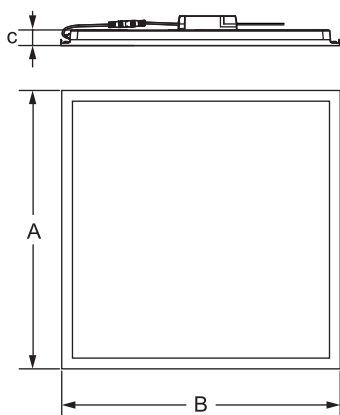
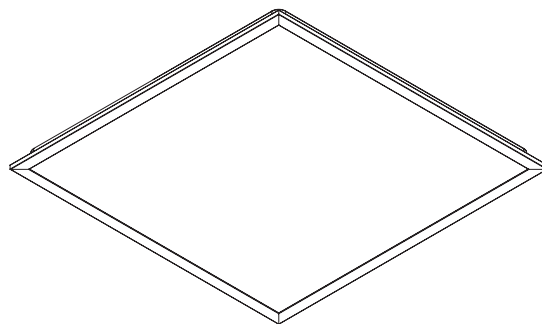
# LED Slim Panel Basic G2

Item Code	CCT	kg
-----------	-----	----

542003021100	3000K	1.6Kg
542003021300	4000K	1.6Kg
542003021500	4000K	1.8Kg
542003021200	3000K	1.7Kg
542003021400	4000K	1.7Kg
542003021600	4000K	1.9Kg

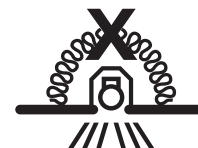
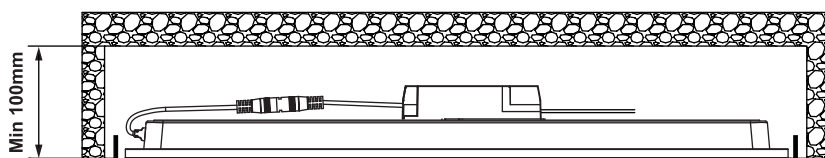
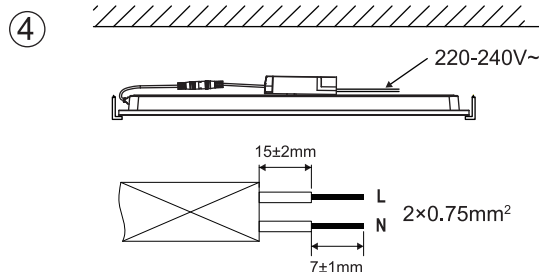
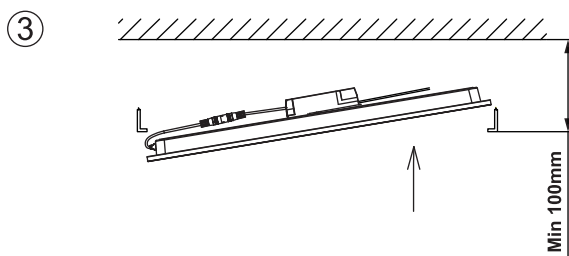
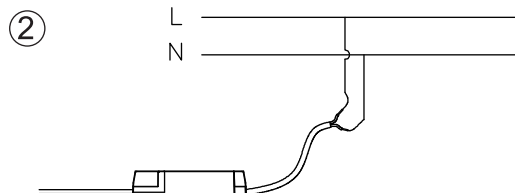
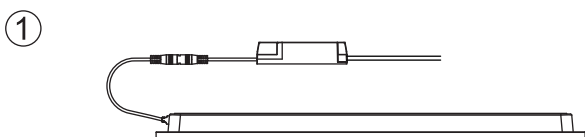
\*Suspension kit and mounting springs to be purchased separately.

542003021700	LED PL-RC-S-B2 SP-KIT	0.25kg
542003021800	LED PL-RC-S-B2 MT-SPRINGS	0.1kg



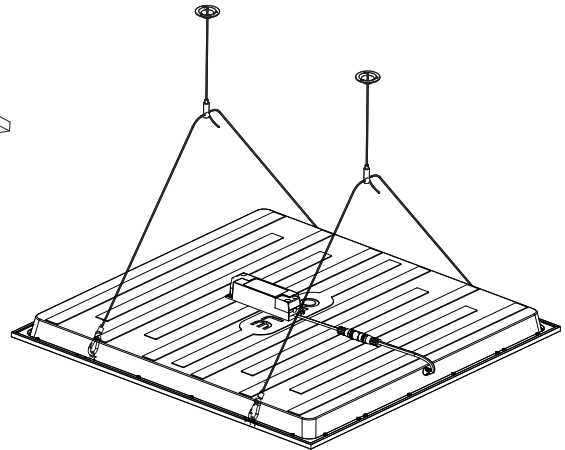
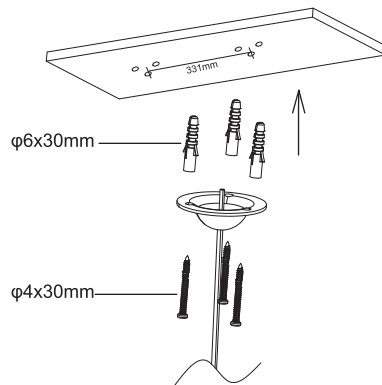
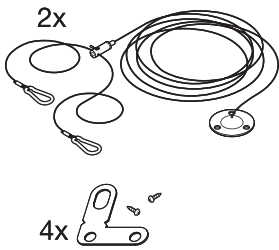
Model Name	A (mm)	B (mm)	C (mm)	Rated Voltage	Frequency	Rated Power
LED PL-RC-S-B2 SQ595-36W	595	595	35	220-240V~	50/60Hz	36W
LED PL-RC-S-B2 SQ620-36W	620	620	35	220-240V~	50/60Hz	36W
LED PL-RC-S-B2 SQ595-36W-U19	595	595	35	220-240V~	50/60Hz	36W
LED PL-RC-S-B2 SQ620-36W-U19	620	620	35	220-240V~	50/60Hz	36W

## Wire Connection & Recessed Installation

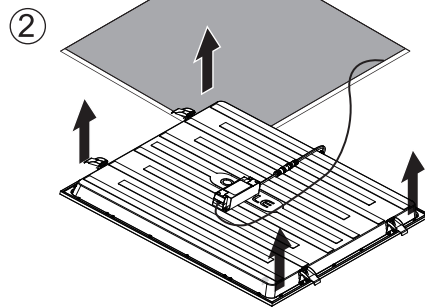
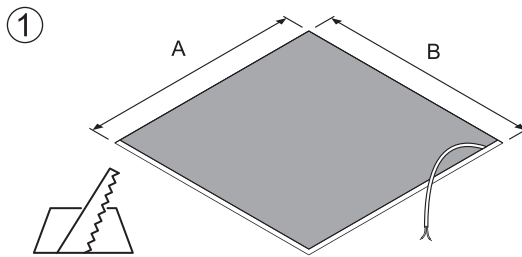
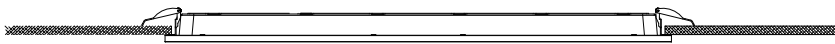


Do not cover with insulation material

## Suspended Installation (Suspension kit)



## Recessed Mounting (Mounting Springs)



Panel LED	A	B	 x4	 x8	Panel LED	A	B	 x4	 x8
595×595	580mm	580mm			620×620	605mm	605mm		



Luminaires not suitable for covering with thermally insulating material.  
Leuchten sind nicht mit thermisch isolierenden Materialien abzudecken.

In case of damage to the wire, it has to be replaced only by the manufacturer, distributor or by an expert, to avoid risks.

Caution: Any operation on LED module is forbidden while power-on.

Zur Vermeidung von Risiken müssen defekte Leitungen ausschließlich vom Hersteller, Inverkehrbringer oder Fachmann ausgetauscht werden.

Achtung: In Betrieb ist keine Arbeit am LED-Modul erlaubt.

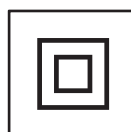
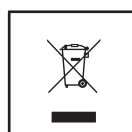
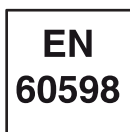
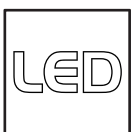
For non-user replaceable light sources:

The light source contained in this luminaire shall only be replaced by the manufacturer or his service agent or a similar qualified person.

Das Leuchtmittel dieser Leuchte ist nicht austauschbar. Wenn das Leuchtmittel das Ende seiner Lebensdauer erreicht hat, muss die gesamte Leuchte ersetzt werden.



Terminal block not included. Installation may require advice from a qualified person. Only use suitable connection boxes with internal terminal blocks conform to EN60998-2-1 or EN60998-2-2 Terminal should be capable for at least 450V 16A, 0.75mm<sup>2</sup> wiring.



Opplé Lighting Electronic (Zhongshan) Co., Ltd.  
Building A, No.275 Dongan Bei Road,  
Haizhou District,  
Guzhen Town,  
Zhongshan City,  
Guangdong, China.

OPPLE Lighting B.V.  
Materiaalweg 6-6A  
5681 RJ Best  
The Netherlands  
service@opple.com  
www.opple.com

Data subject to change/  
Les données sont sujettes à modifications  
Änderungen vorbehalten