

# PHILIPS

Mimosa

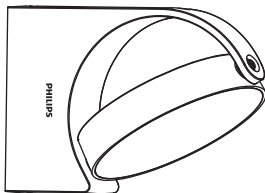
9290032623

9290032624

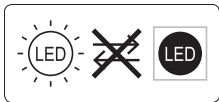
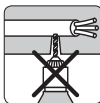
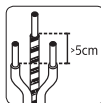
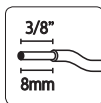
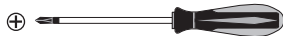
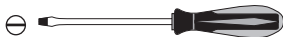
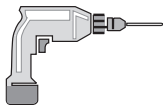


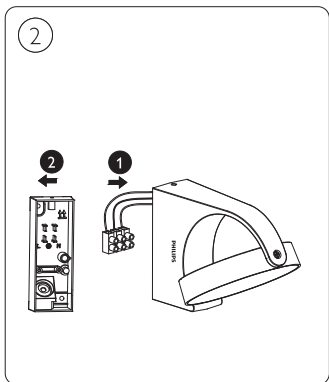
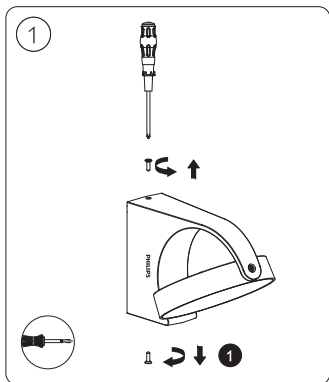
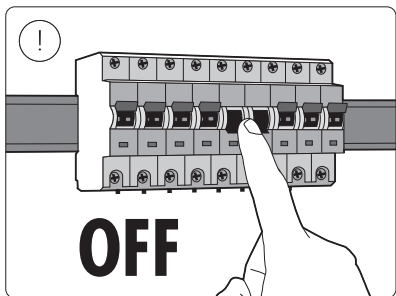
User manual  
Benutzerhandbuch  
Notice d'emploi  
Manual de usuario  
Manual do usuário  
Manuale d'uso  
Gebruiksaanwijzing

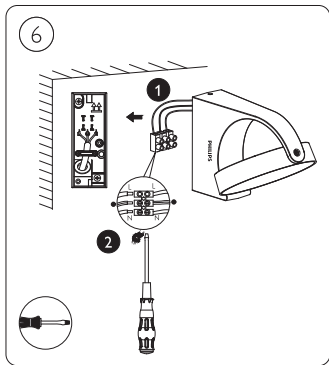
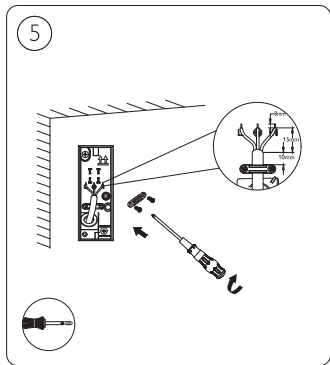
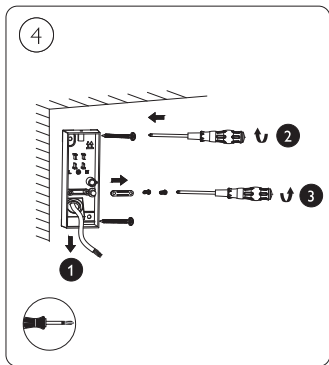
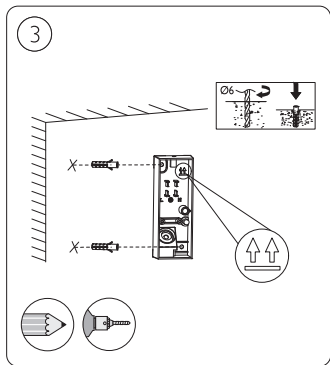
Incl.

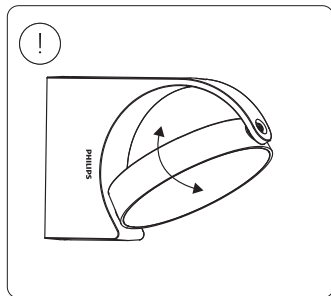
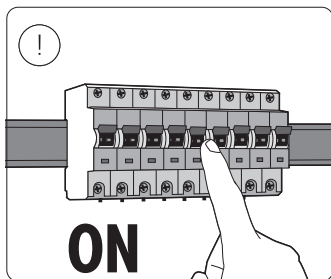
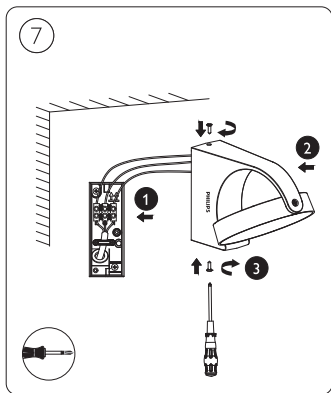


Excl.











Signify Commercial UK Limited  
Unit 3, Guildford Business Park,  
Guildford, Surrey, GU2 8XG, UK

Signify  
I.B.R.S. / C.C.R.I. Numéro 10461  
5600 VB Eindhoven, the Netherlands  
☎00800-74454775

All rights reserved

Philips and the Philips Shield Emblem  
are registered trademarks of Koninklijke  
Philips N.V. and are used under license.

[www.philips.com/lighting](http://www.philips.com/lighting)

© 2022 Signify Holding  
©ignify

3241 659 63162