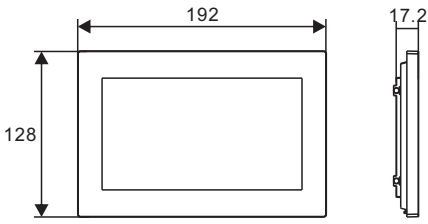
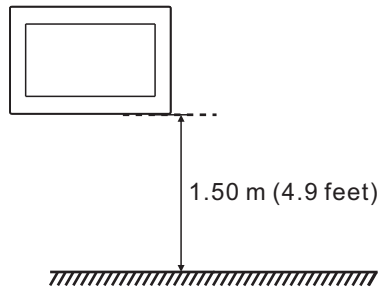


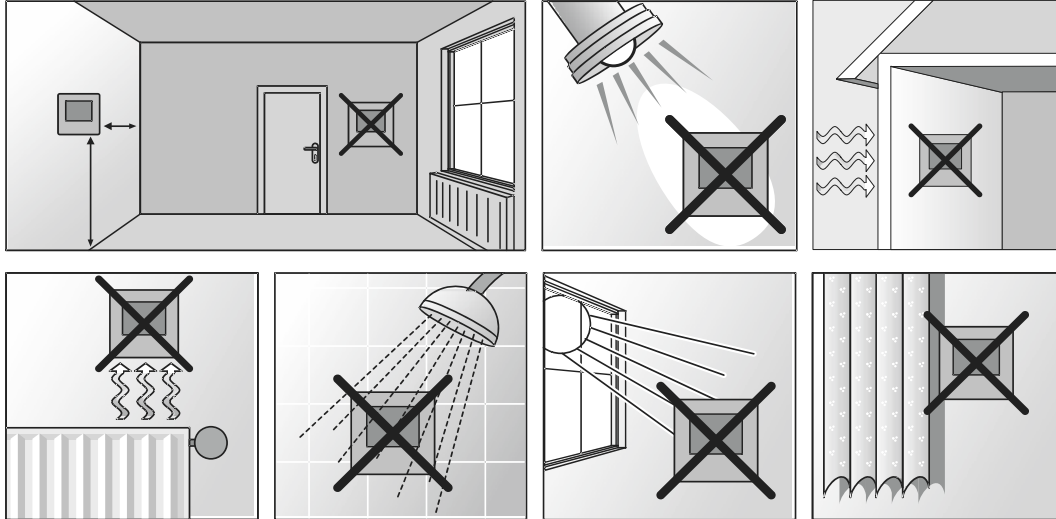
Product dimension (unit: mm)



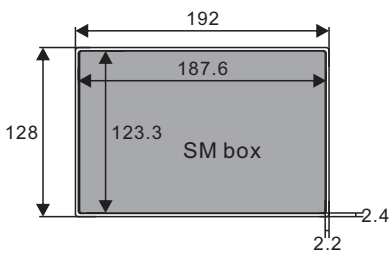
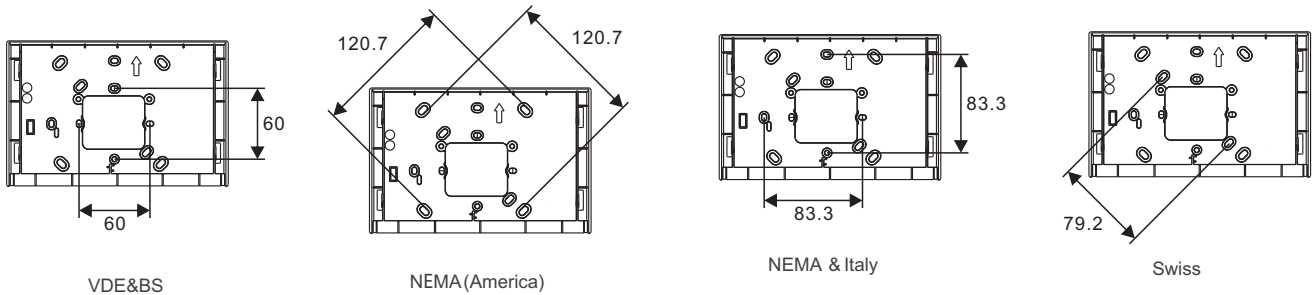
Installation height



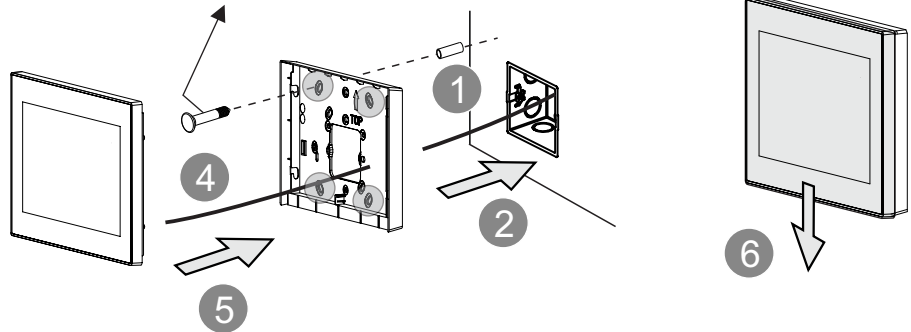
Location



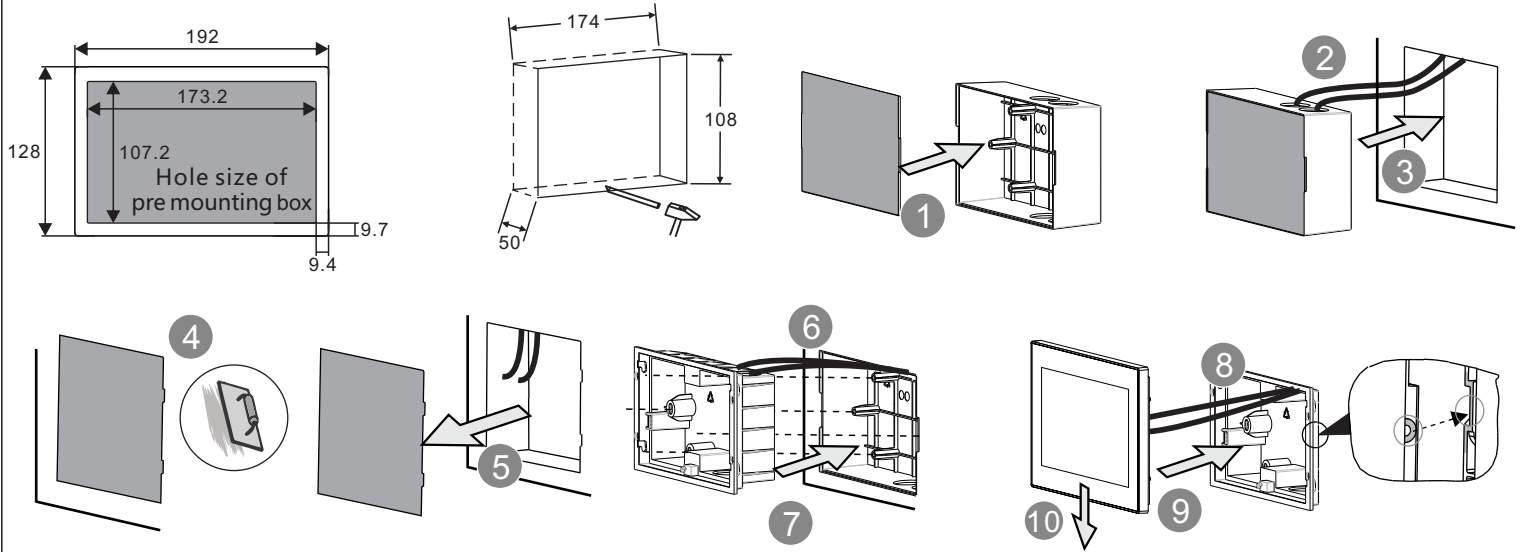
Surface mounted with the electrical accessory box (unit: mm)



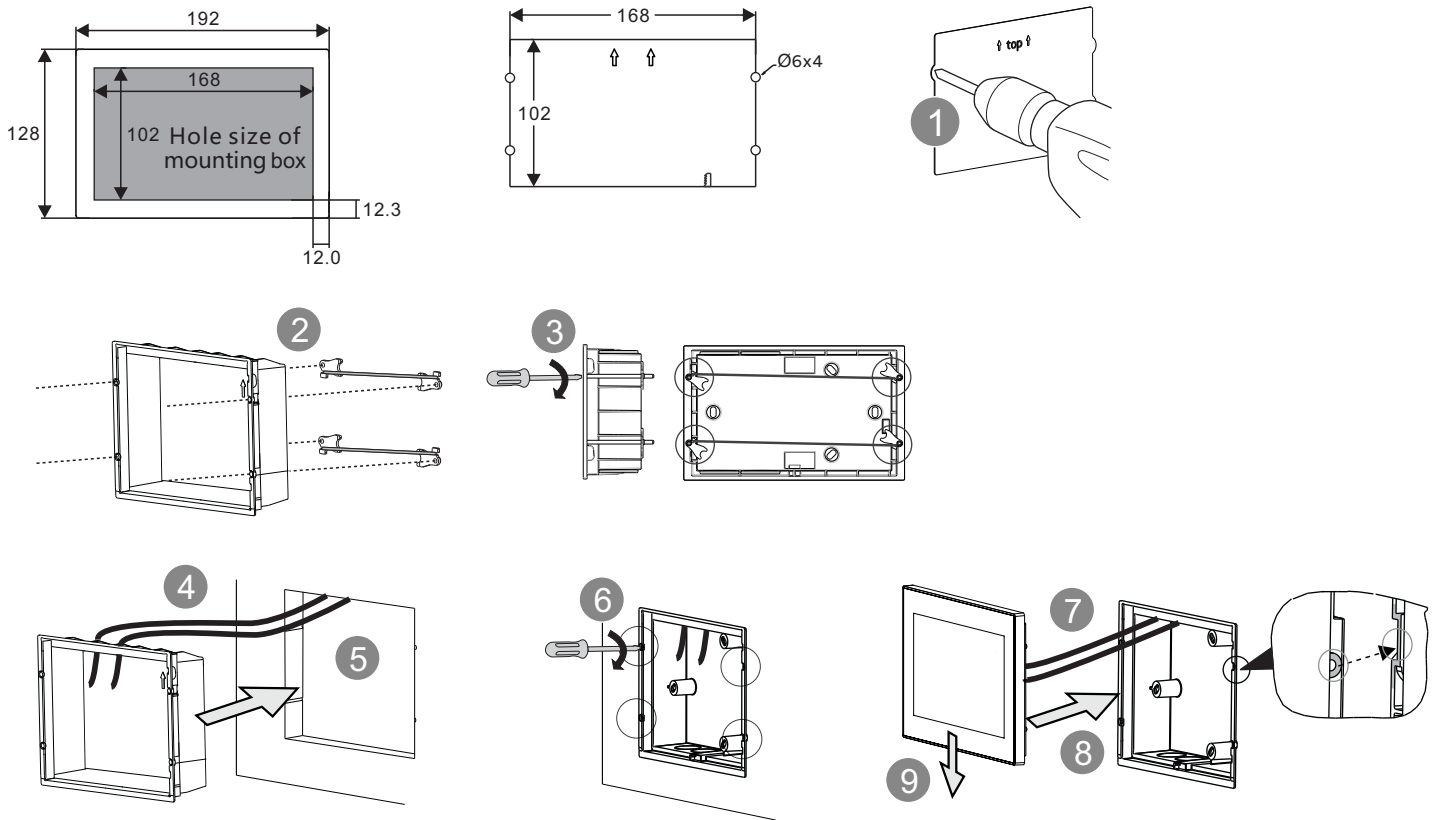
- 3** Screw the mounting bracket to accessory box.
It is recommended to lock the positions marked in gray with screws to better secure the device.



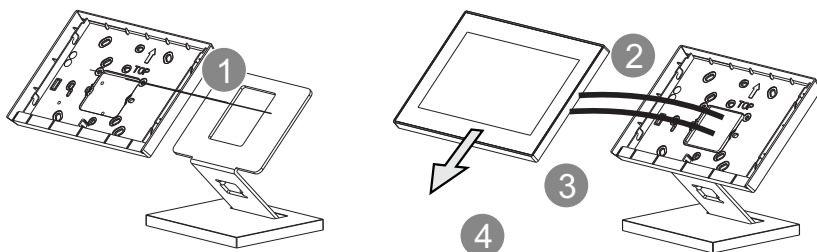
Flush mounted installation with pre installation box (unit: mm)



Cavity wall installation (unit: mm)



Desktop installation



Dismantle

