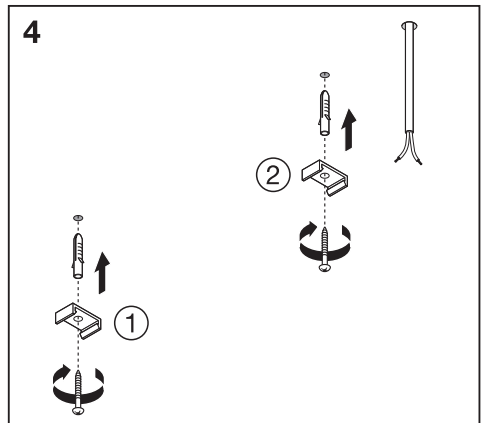
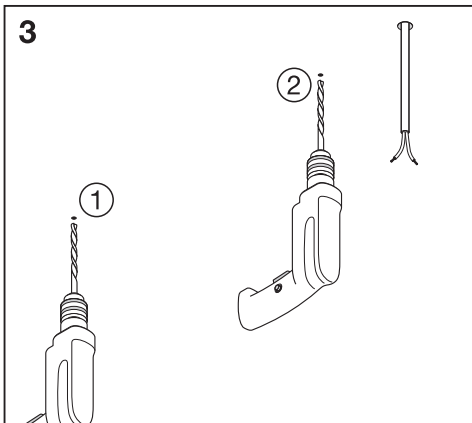
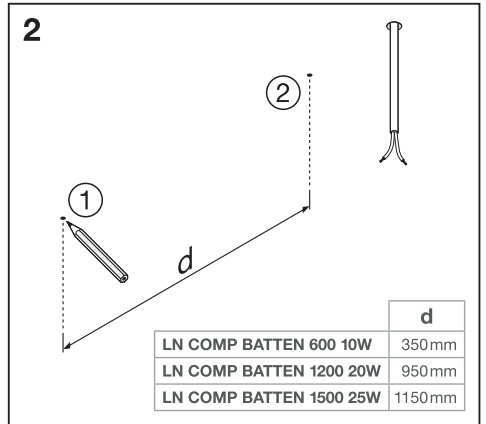
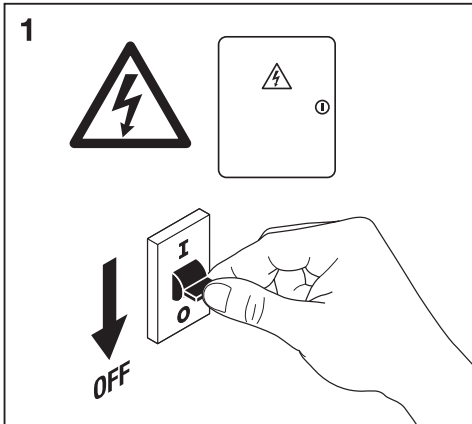
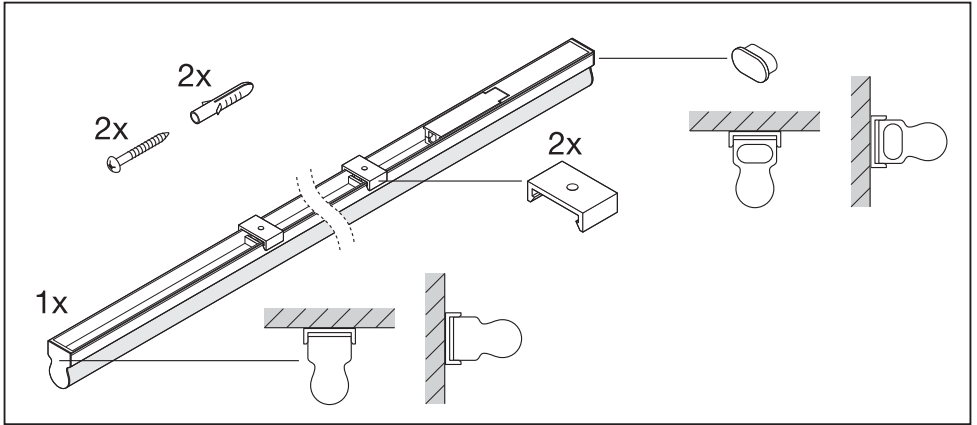
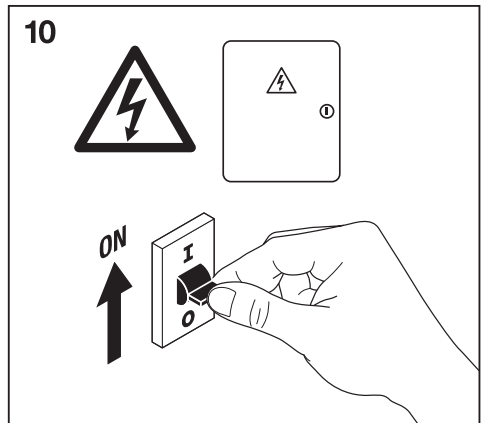
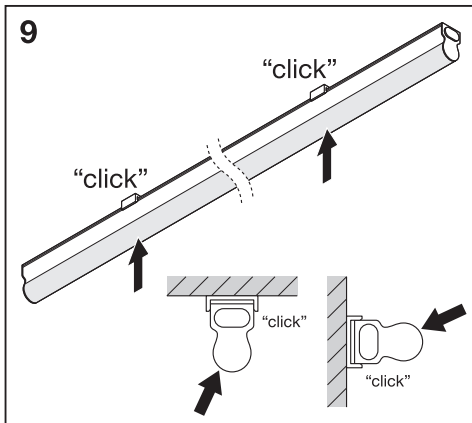
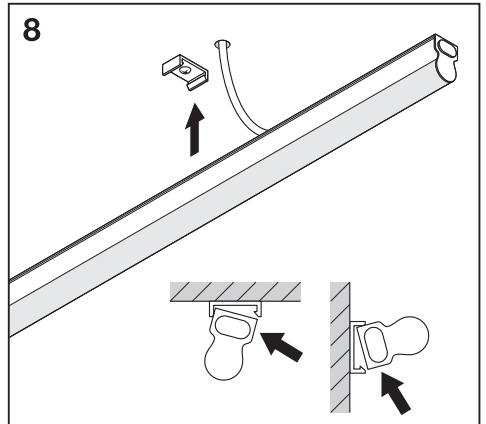
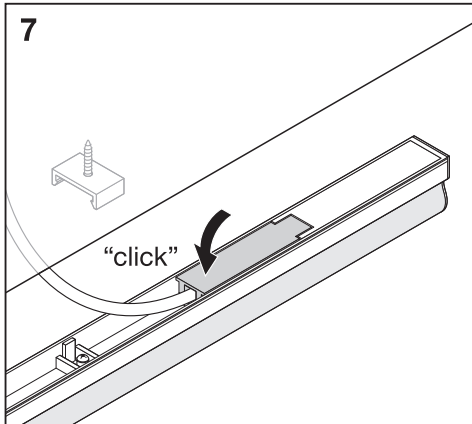
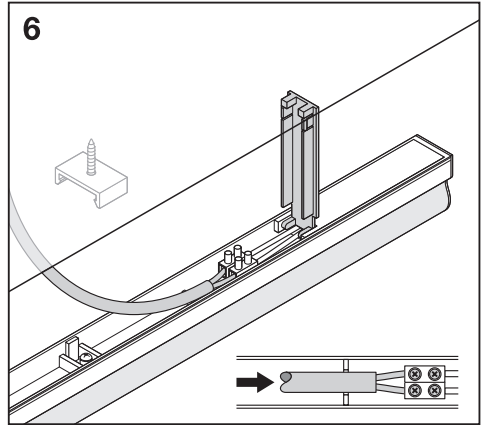
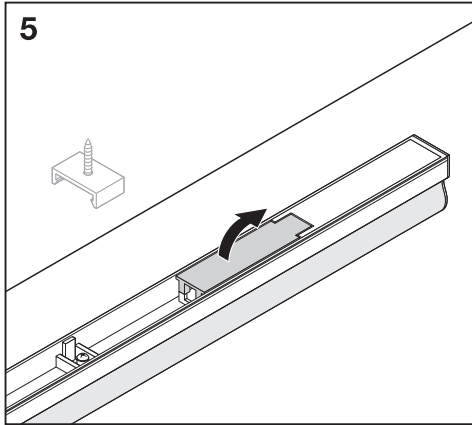

LINEAR COMPACT BATTEN

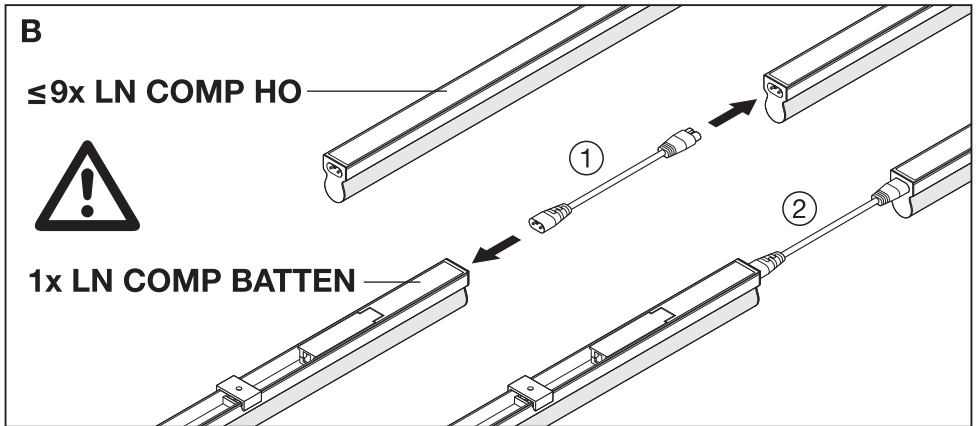
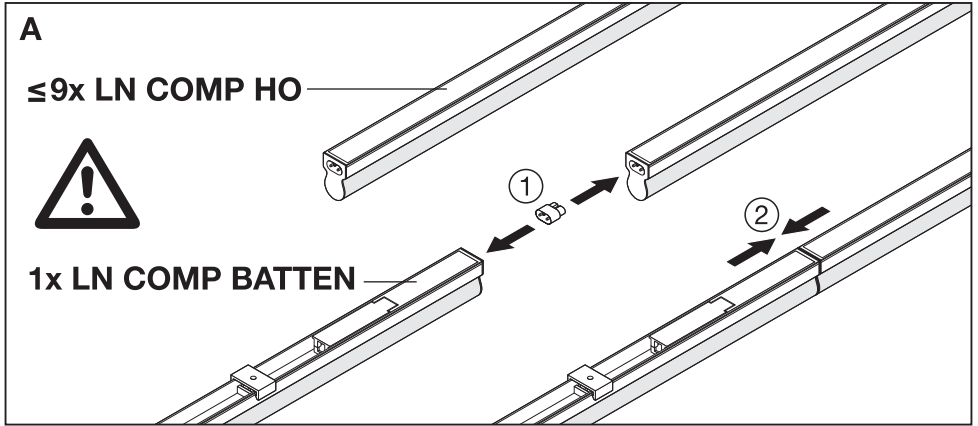


	EAN	l x w x h [mm]	W	lm	lm/W	K	IP	IK
LN COMP BATTEN 600 10W/3000K	4058075099692	575x27x38	10	1000	100	3000	20	03
LN COMP BATTEN 600 10W/4000K	4058075099715	575x27x38	10	1000	100	4000	20	03
LN COMP BATTEN 1200 20W/3000K	4058075099739	1175x27x38	20	2000	100	3000	20	03
LN COMP BATTEN 1200 20W/4000K	4058075099753	1175x27x38	20	2000	100	4000	20	03
LN COMP BATTEN 1500 25W/3000K	4058075099777	1475x27x38	25	2500	100	3000	20	03
LN COMP BATTEN 1500 25W/4000K	4058075099791	1475x27x38	25	2500	100	4000	20	03

	EAN	⌀ (°C)	V _{AC}	Hz	∇	PF	R _a	👤
LN COMP BATTEN 600 10W/3000K	4058075099692	-20...+40	220-240 V	50/60 Hz	140°	> 0.5	>80	0.1 kg
LN COMP BATTEN 600 10W/4000K	4058075099715	-20...+40	220-240 V	50/60 Hz	140°	> 0.5	>80	0.1 kg
LN COMP BATTEN 1200 20W/3000K	4058075099739	-20...+40	220-240 V	50/60 Hz	140°	> 0.5	>80	0.2 kg
LN COMP BATTEN 1200 20W/4000K	4058075099753	-20...+40	220-240 V	50/60 Hz	140°	> 0.5	>80	0.2 kg
LN COMP BATTEN 1500 25W/3000K	4058075099777	-20...+40	220-240V	50/60 Hz	140°	> 0.9	>80	0.3 kg
LN COMP BATTEN 1500 25W/4000K	4058075099791	-20...+40	220-240V	50/60 Hz	140°	> 0.9	>80	0.3 kg







CE EAC   RoHS  036



C10449057
G11046038
18.05.18



LEDVANCE GmbH
Steinerne Furt 62
86167 Augsburg, Germany
www.ledvance.com