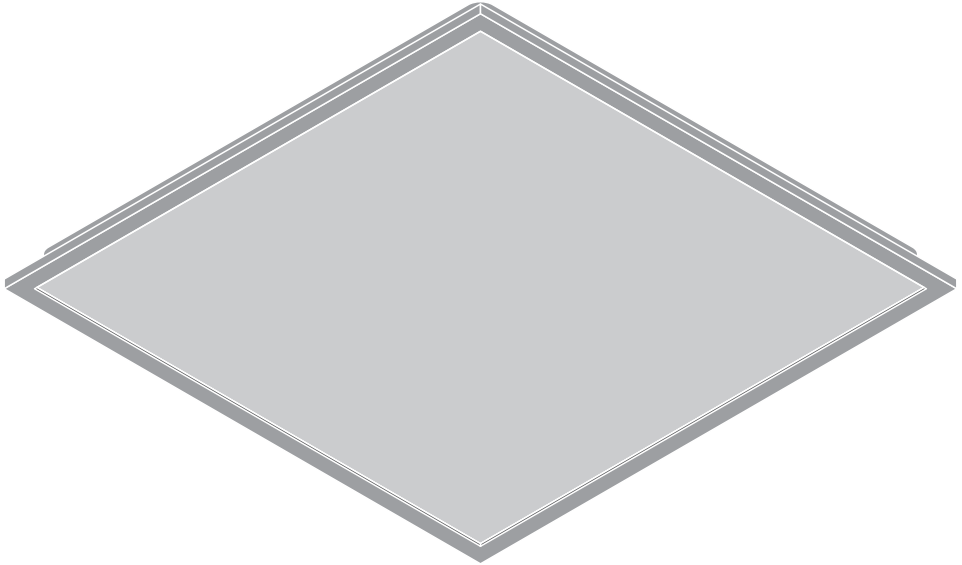
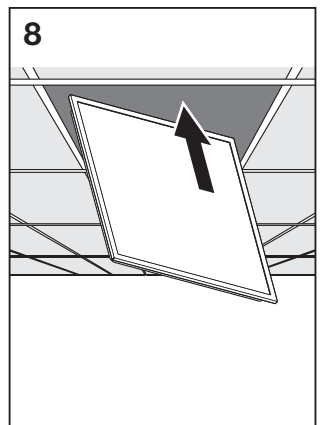
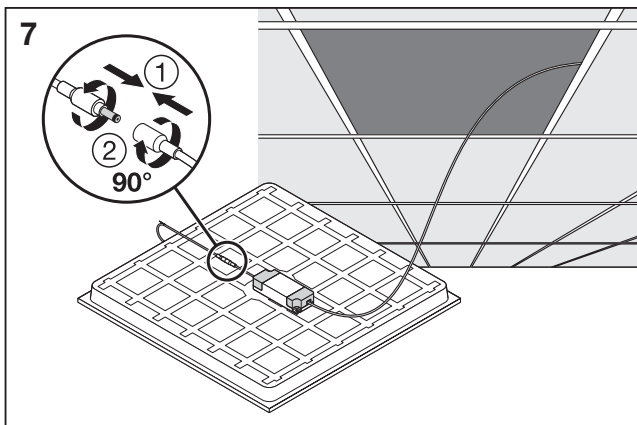
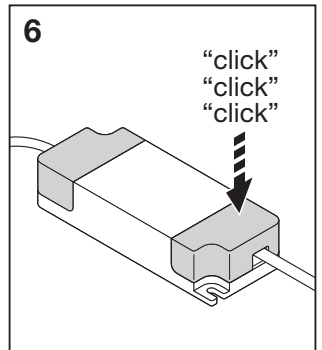
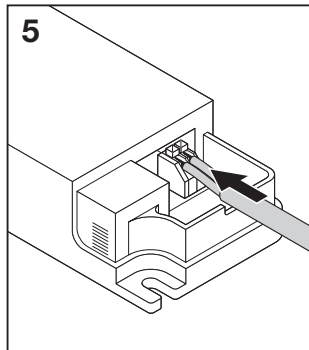
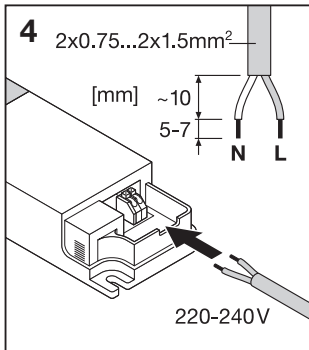
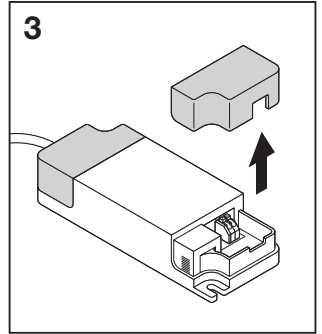
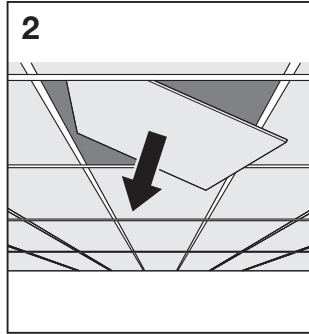
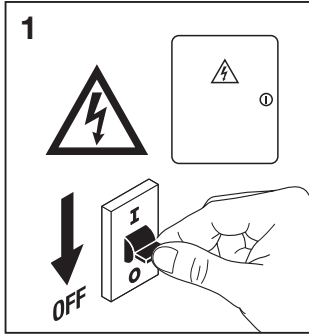
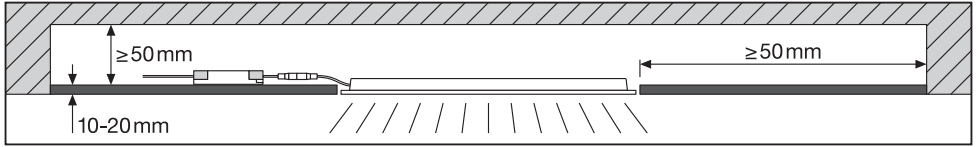


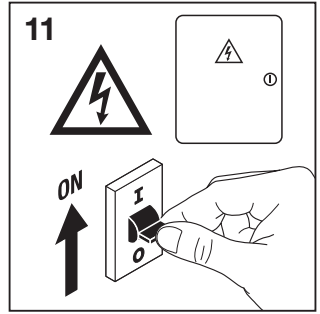
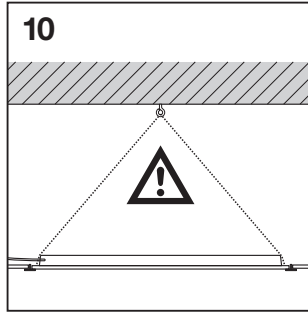
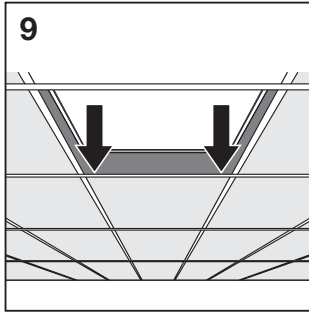
## PANEL VALUE 600/625



	EAN	l x w x h [mm]	W	VAC	Hz	lm	lm/W	K
PL VAL 600 36W/3000K	4058075392366	595 x 595 x 35	36	220-240	50/60	3600	100	3000
PL VAL 600 36W/4000K	4058075392380	595 x 595 x 35	36	220-240	50/60	3600	100	4000
PL VAL 600 36W/6500K	4058075392403	595 x 595 x 35	36	220-240	50/60	3600	100	6500
PL VAL 600 36W/3000K UGR19	4058075392427	595 x 595 x 35	36	220-240	50/60	3600	100	3000
PL VAL 600 36W/4000K UGR19	4058118142200	595 x 595 x 35	36	220-240	50/60	3600	100	4000
PL VAL 625 36W/4000K UGR19	4058075392588	620 x 620 x 35	36	220-240	50/60	3600	100	4000

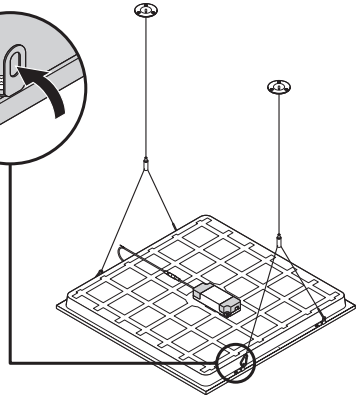
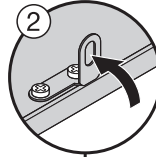
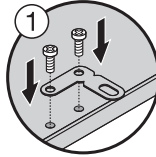
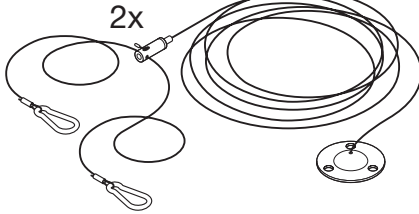
	EAN	IP	IK	∇	R <sub>a</sub>	ⓘ (°C)	PF	👤
PL VAL 600 36W/3000K	4058075392366	40	02	120°	>80	-10...+45	>0.9	1.8 kg
PL VAL 600 36W/4000K	4058075392380	40	02	120°	>80	-10...+45	>0.9	1.8 kg
PL VAL 600 36W/6500K	4058075392403	40	02	120°	>80	-10...+45	>0.9	1.8 kg
PL VAL 600 36W/3000K UGR19	4058075392427	40	02	90°	>80	-10...+45	>0.9	1.8 kg
PL VAL 600 36W/4000K UGR19	4058118142200	40	02	90°	>80	-10...+45	>0.9	1.8 kg
PL VAL 625 36W/4000K UGR19	4058075392588	40	02	90°	>80	-10...+45	>0.9	1.9 kg



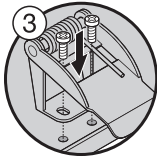
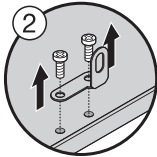
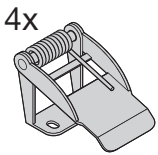


Suspension Kit  
EAN 4058075402928

4x  8x 

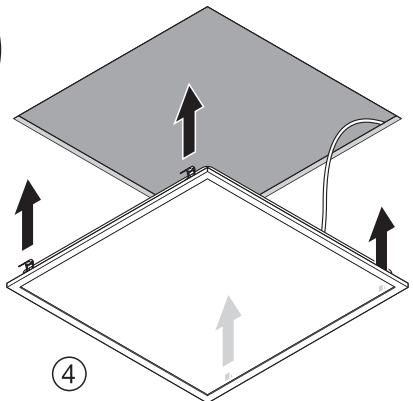
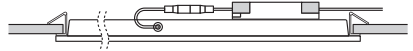


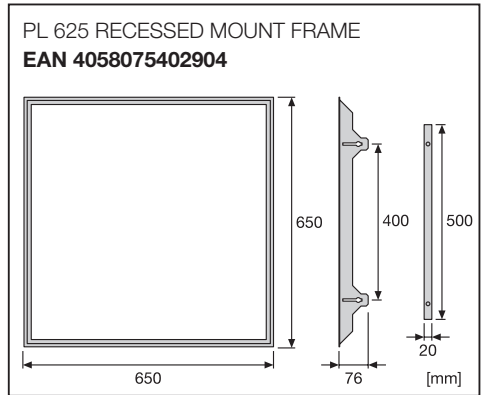
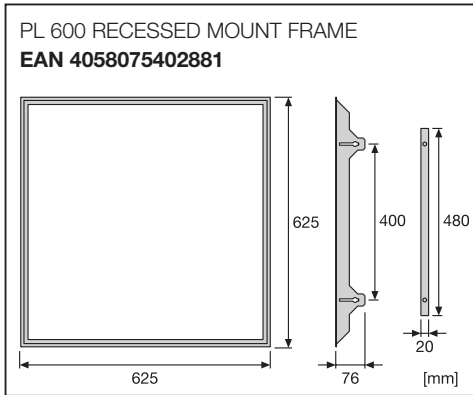
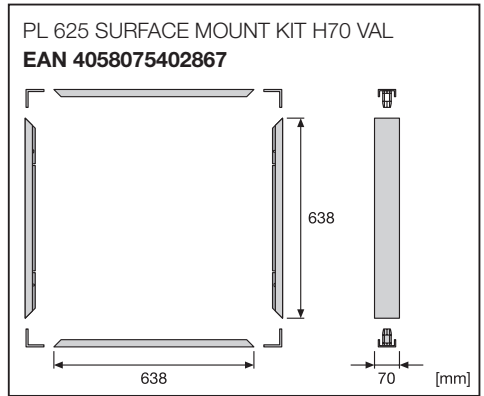
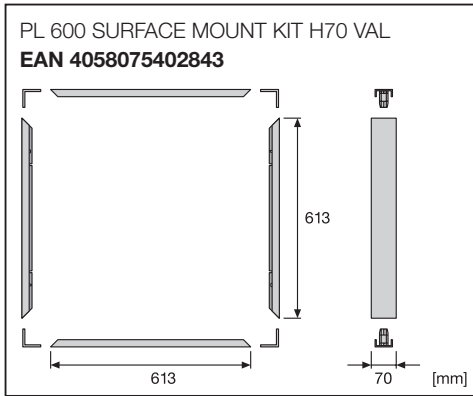
Recessed Mount Clips Value  
EAN 4058075409859



Panel 600: 580mm  
Panel 625: 605mm

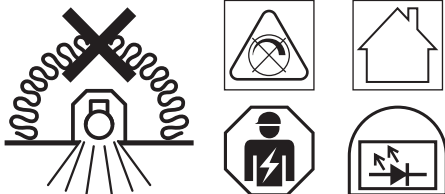
Panel 600: 580mm  
Panel 625: 605mm





B16A	C10A	C16A
15	15	24

CE RoHS



C10449057  
 G11094886  
 06.03.20



LEDVANCE GmbH  
 Steinerne Furt 62  
 86167 Augsburg, Germany  
[www.ledvance.com](http://www.ledvance.com)